



DF4/P - Silverlink 600 Propane Gas Counter-top Single Tank Fryer - 2 Baskets - W 450 mm - 10.5 kW

The Silverlink 600 Gas Single Tank Counter Top Fryer delivers 55kg of chips per hour, while it also features a twin basket operation which gives you the flexibility of cooking different foods or loads simultaneously.

- ✓ Single tank fryer with twin basket operation giving you the flexibility to cook different foods or loads simultaneously, delivering 55kg of chips per hour
- ✓ Piezo ignition for easy lighting
- ✓ Front mounted controls for safety
- ✓ Heavy duty nickel plated baskets for the most demanding of operations
- ✓ Thermostatically controlled to give accurate cooking temperatures throughout cooking. Flame failure device and top temperature cut out ensures safe operation.
- ✓ Front drain off tap for easy removal of cooking oil
- ✓ Cool zone collects cooking debris - gives cleaner cooking results and saves money by prolonging the life of the oil

Specifications

Summary

Range Name	Silverlink 600
Power Type	Gas
Gas Type	Propane Gas
Unit Type	Counter-top
Available in UK Only	No
UK Warranty	2 Years Parts and Labour Warranty
Export Warranty	Contact your local dealer
GTIN Code	5056105104612

Power and Performance

BTU per Hour	35,826
Total Power kW	10.5
Temperature Range °C	110 - 190
Temperature Control	Mechanical

Key Specifications

Capacity Litres	8.0
Number of Baskets	2
Number of Tanks	1
Gravity Filtration	No
Pumped Filtration	No
Drain Location	Front-mounted

Weights and Dimensions

Unit Height (External) mm	415
Unit Width (External) mm	450
Unit Depth (External) mm	654
Net Weight Kg	30.9

Supply Connections

Requires Installation	Yes
Requires Electrical Supply	No
Gas Connection BSP	1/2"
Gas Consumption at full rate Propane m³ per Hour	0.81
Gas Pressure Propane mbar	35.0
Total heat input at full rate Propane kW	10.5
Total heat input at full rate Propane BTU per hour	38,600

Shipping

Packed Weight Kg	43.2
Packed Height cm	63.5
Packed Width cm	70
Packed Depth cm	55

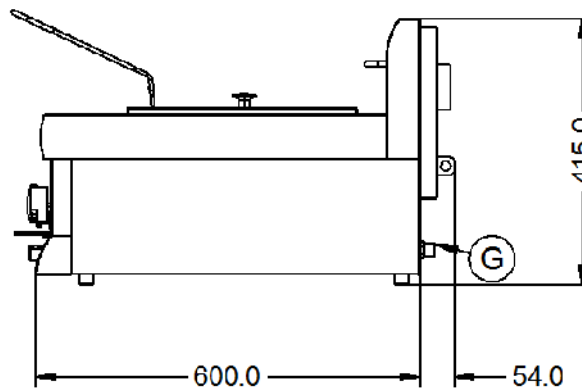
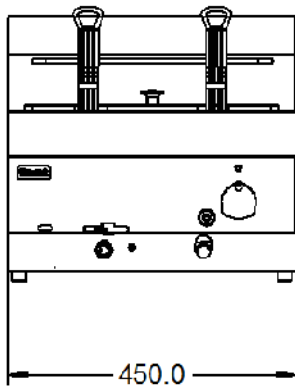
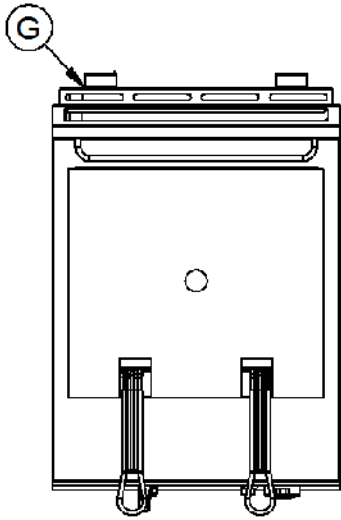
Available Accessories

CH01	CATERFLEX HOSE 1/2" 1 METRE
-------------	-----------------------------

Available Accessories

- CH02** CATERFLEX HOSE 1/2" 1.5 METRE
- CN4** Silverlink 600 Free-standing Ambient Open-Top Pedestal without Doors - W 450 mm
- DC01** DONUT CONV KIT DF4/GAS
- SLS4** Silverlink 600 Free-standing Floor Stand - for units W 450 mm

Technical Picture





Lincat Limited

Whisby Road,
Lincoln, LN6 3QZ,
United Kingdom

Company No: 2175448

A member company of



Customer Care

Tel: +44 1522 875500
Email: care@lincat.co.uk

Export Customers

Tel: +44 1522 503250
Email: export@lincat.co.uk

Opening Hours

Monday – Friday:
8.30am – 5pm