



**OE8108 - Opus 800**  
**Electric Free-standing**  
**Single Tank Fryer - 2**  
**Baskets - W 600 mm -**  
**22.0 kW**

An accurate Opus 800 Single-Tank Free Standing Electric Fryer which comes with a precise thermostatic control that enables you to control up to 190°C.

✓ Accurate thermostatic control up to 190°C for consistent results and safe operation

✓ Base model with oil drainage through the body of the fryer

**Specifications**

**Summary**

<b>Range Name</b>	Opus 800
<b>Power Type</b>	Electric
<b>Unit Type</b>	Free-standing
<b>Available in UK Only</b>	No
<b>UK Warranty</b>	2 Years Parts and Labour Warranty
<b>Export Warranty</b>	Contact your local dealer
<b>GTIN Code</b>	5056105102922

**Power and Performance**

<b>Total Power kW</b>	22.0
<b>Temperature Range °C</b>	90 - 190
<b>IP Rating</b>	IP24
<b>Temperature Control</b>	Mechanical

**Key Specifications**

<b>Capacity Litres</b>	36.5
<b>Number of Baskets</b>	2
<b>Number of Tanks</b>	1
<b>Gravity Filtration</b>	No
<b>Pumped Filtration</b>	No
<b>Drain Location</b>	Through the body

**Weights and Dimensions**

<b>Unit Height (External) mm</b>	1070
<b>Unit Width (External) mm</b>	600
<b>Unit Depth (External) mm</b>	800
<b>Net Weight Kg</b>	95.8

**Supply Connections**

<b>Requires Installation</b>	Yes
<b>Requires Electrical Supply</b>	Yes
<b>UK 3 Pin Plug</b>	No
<b>Requires Hardwiring</b>	Yes
<b>Electrical Supply Rating Watts</b>	22,000
<b>Three Phase Amps</b>	L1=31.8 ; L2=15.9 ; L3=15.9
<b>Three Phase Voltage</b>	400

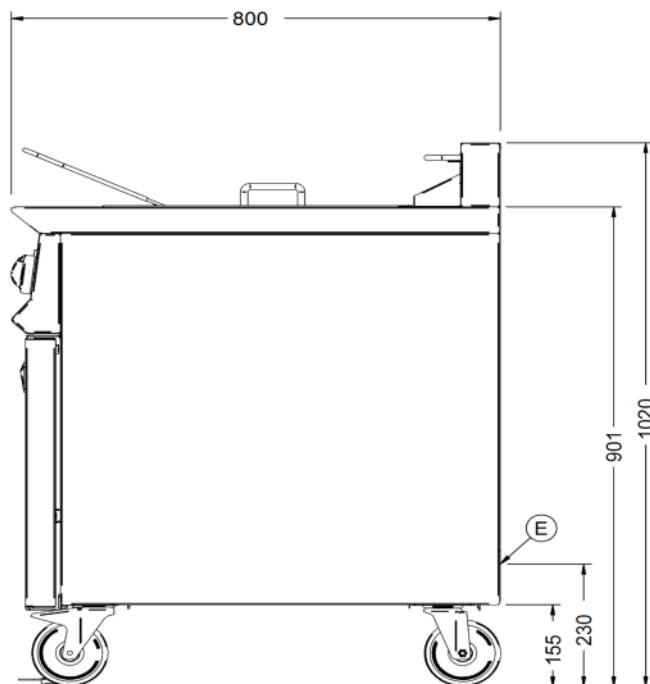
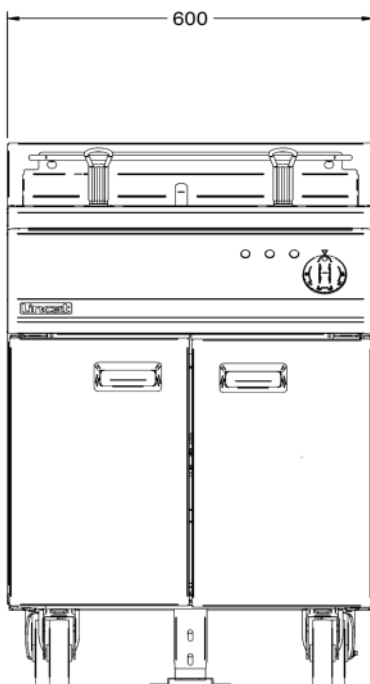
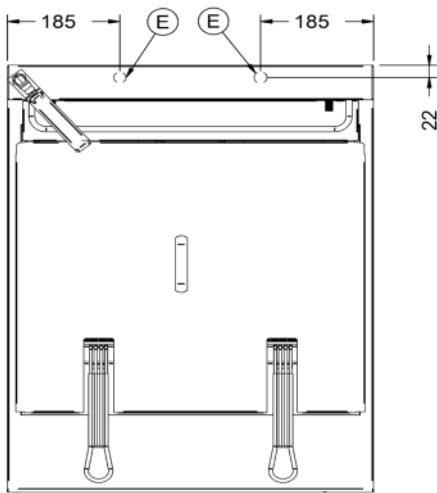
**Shipping**

<b>Packed Weight Kg</b>	108.8
<b>Packed Height cm</b>	122
<b>Packed Width cm</b>	70
<b>Packed Depth cm</b>	85

**Available Accessories**

<b>BA83</b>	BASKET SMALL
<b>LK02</b>	OPUS 350 LEG KIT
<b>OA8954</b>	SPLASHGUARD FOR OPUS 800 ELECTRIC FRYERS
<b>OF2</b>	Oil filter kit - size 2

**Technical Picture**



**Lincat Limited**

Whisby Road,  
Lincoln, LN6 3QZ,  
United Kingdom

**Company No:** 2175448

A member company of



**Customer Care**

**Tel:** +44 1522 875500  
**Email:** care@lincat.co.uk

**Export Customers**

**Tel:** +44 1522 503250  
**Email:** export@lincat.co.uk

**Opening Hours**

**Monday – Friday:**  
8.30am – 5pm